

# Prime Connection

4Q 2024



**P4/ RAILROAD**  
- HASCALL-DENKE  
LB44R RAILROAD  
ANTENNA

**P5 / COMMSCOPE**  
- HX6-611 MICROWAVE  
ANENNA

**P7 / MVG**  
- EME GUARD XS 71GHZ

**P8 / RFI**  
- THE BIG LIST  
IN-STOCK FIBER & RFJUMPERS

# PRIMUS *The Difference in Wireless Distribution*

## Primus

4180 E Sand Ridge Rd.  
Morris, IL 60450

## Quotes and Order Support

(800) 435-1636 tel  
(800) 767-7605 fax  
support@primuselectronics.com

## Office Hours

Monday - Friday  
7 am - 6 pm

## Pickup Hours

Monday - Friday  
7 am - 6 pm

## Connect with us



Proudly serving our customers since 1980.  
Privately held and proud of it.  
President – Michael A. Johnson



## Trade Shows & Training

### TRADE SHOWS

NATE 2025 - February 17-20, Raleigh, NC  
IWCE 2025 - March 17-20, Las Vegas, NV

### TRAINING

Anritsu SiteMaster™ Certified Line Sweep Training 2-Day Course, \$1,395 pp  
Anritsu PIM Master™ Certified PIM Training 1-Day Course, \$1,395 pp  
CITCA Authorized Climber  
CITCA Tower Rescue & Competent Climber  
CITCA Train-the-Trainer  
CommScope, ComStar, ODM Fiber, EXFO, Harger, Bird Technologies, JMA, and Kaelus Trainings available upon request.  
Visit [primuselectronics.com](http://primuselectronics.com) or contact Training with Primus at (800) 435-1636 or [training@primuselectronics.com](mailto:training@primuselectronics.com) for more information and registration.

Prime Connection is published as a corporate communications magazine for customers and friends of Primus. The magazine is published by the Primus Marketing Department at 4180 E Sand Ridge Road in Morris, IL. To receive an email notification stating the release of the next newsletter, please email [marketingdept@primuselectronics.com](mailto:marketingdept@primuselectronics.com) or call (815) 267-7402.

# EMWave INC

## NMO FME Mount

Easier & More Reliable Installs

### FME Adapter Options



## PRIMUS

For pricing and availability  
please contact (800) 435-1636  
or [sales@primuselectronics.com](mailto:sales@primuselectronics.com)

### NMO Mount FME Cable Assembly



17 ft. RG-58/U or LL195

EM-M11001-FME-058  
EM-M11001-FME-195

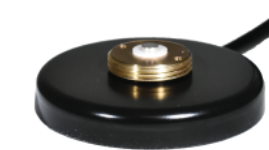
### Thick Mount FME Cable Assembly



Non-Rotational heavy-duty centering washer for precise hole alignment & non-slip, secure clamping pressure

EM-MTR11001-FME-058  
EM-MTR11001-FME-195

### Magnetic FME Mount



Rugged aluminum die cast base for high strength mechanical mounting and reliability

EM-MAG-FME-058

### NMO/GPS/GNSS Combination Mount



Coming Soon in FME Connector

EM-MG11006-SP-FME-195  
EM-MG11006-SP-FME-058

## SUBSCRIBE TO PRIMUS

Click [HERE](#) to receive email updates from Primus and to make sure you don't miss a quarterly newsletter! We do our best to make it easy to learn about the latest developments and industry trends!



# RAILROAD



## HASCALL-DENKE LB44R Railroad Antenna

43-47 MHz LB44R (1Y09400)

The LB44R railroad antenna is designed to be used in commercial railroad applications such as: PTC “Positive Train Control,” yard/fleet maintenance, and rail service agencies. Robust and tough, this antenna is housed in a thick fiberglass radome and is constructed from corrosion resistant materials for reliability in the harshest environments.

- Low VSWR
- Shock & Vibration rated: EN 61373, MIL-810G, & IEEE 1478

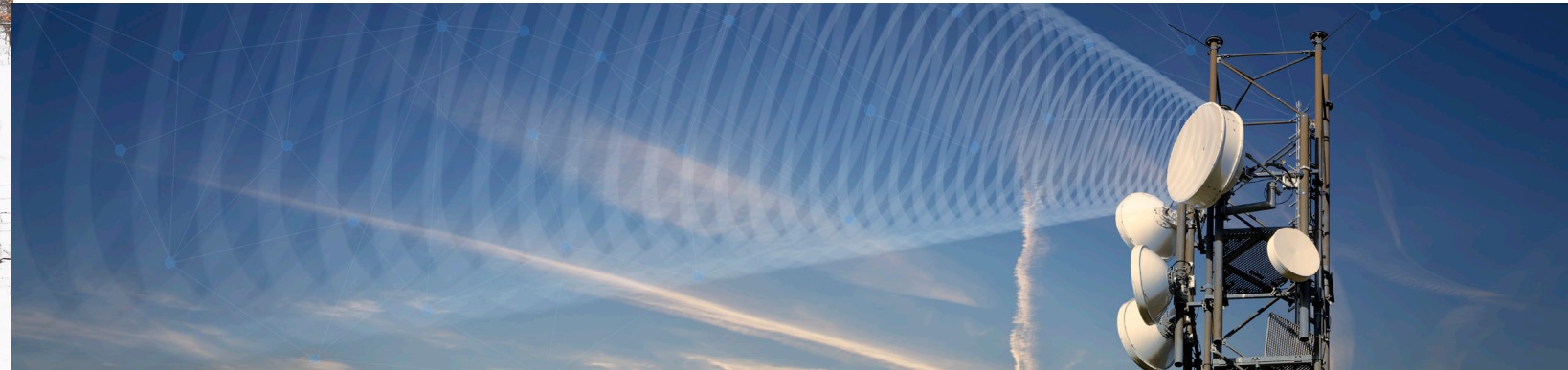
For more information, contact Matt Dodge at 815-267-7416 or [matt@d@primuselectronics.com](mailto:matt@d@primuselectronics.com).



# COMMSCOPE®

## Look What's New!

### CommScope's HX6-611 Microwave Antenna



Backhaul demands keep growing; available tower space—not so much. Now what? Consider the new CommScope HX6-611 microwave antenna. As a dual-pol/dual-band backhaul antenna, the HX6-611 replaces four single-pol/single-band antennas or two single-pol/dual-band antennas. So you can reduce antenna counts while increasing backhaul efficiency. With 6 GHz and 11 GHz band support, the HX6-611 antenna is ideal for high-capacity long-haul connectivity. And we haven't even scratched the surface.

#### Improve performance

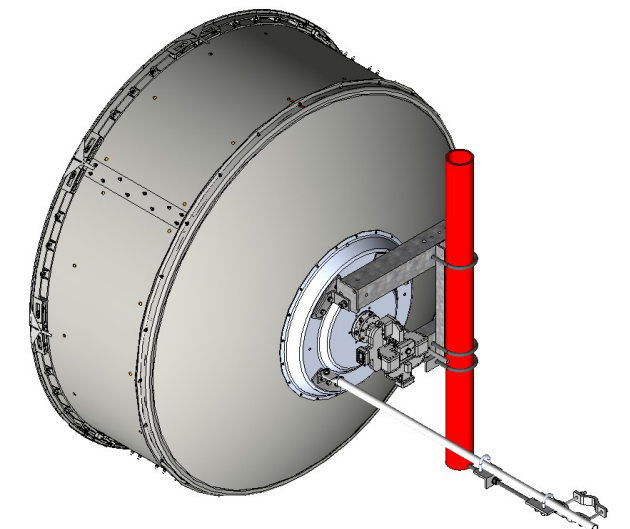
- Boost capacity with dual-band/dual-polarization
- High gain, consistently accurate pattern performance
- Excellent XPD minimizes interference
- 6 GHz/11GHz delivers reliable long-haul connectivity
- Provides excellent backup for critical links

#### Reduce costs

- Replace up to four backhaul antennas with one
- Lower tower leasing cost and tower modifications

#### Simplify and speed deployment

- Uses the same mount as other ValuLine® antennas
- Deploy one antenna instead of multiple antennas
- Easier frequency planning and better spectral efficiency



For more information on CommScope's HX6-611 Microwave Antenna, contact Primus at 800-435-1636 or email [support@primuselectronics.com](mailto:support@primuselectronics.com).

[Click Here to view on our website!](#)

# UTC Region 5 Conference Minneapolis, MN



Primus was honored to exhibit and be a part of this regional conference. With our own Sharon McDonald representing us. We had the pleasure spending time networking with current customers, making new acquaintances and visiting with vendors.

A special thank you to Kelly Moran with UTC for her hard work and dedication for making this event a success for all of us.

We look forward to continuing to be a part of UTC and seeing everyone next year!



## + EME Guard XS 71GHz



## Introducing the EME Guard XS 71 GHz: Real-Time RF Safety for 5G and Beyond

As industries shift to higher frequencies with the deployment of 5G and 6G, worker safety in RF environments is also requiring increased coverage. To address these needs, MVG has developed the EME Guard XS 71 GHz, a personal protection monitor (PPM) designed to evaluate real-time electromagnetic field (EMF) exposure up to 71 GHz, providing instant visual and audio alerts when safety thresholds are breached.

“Workers at heights face exposure to an increasing variety of RF emitters while working on site, and one RF monitor covering a wider frequency range is simply the most practical,” explains Nicolas Doaré, MVG’s RF Safety sales director. “The EME Guard XS 71 GHz supports the future demands for RF safety of 5G/6G technologies.”

### Key Features

- Frequency Range: 1 MHz - 71 GHz, covering 5G and 6G applications
- Tri-Axis Probe: Ensures accurate EMF measurements
- Real-Time Alerts: Provides visual and audio alarms when EMF levels exceed safety thresholds
- Portable and Durable: Designed for easy use in the field
- Long Battery Life: Over 50 days of continuous operation

[Click Here to view on our website!](#)

# THE BIG LIST

## IN-STOCK FIBER & RF JUMPERS



RF Industries has put together a list of their in-stock RF and Fiber assemblies that are ready for your next deployment. Take advantage of this offer and meet the performance, quality and speed to market that your customers require. Can't find what you need? Typical lead times for our standard AND custom assemblies is days, not weeks. Contact us today!

[LINK TO THE LIST NOW](#)

✓ Hundreds of options to choose from

✓ Ready to ship NOW

✓ Reliable, quality connectivity solutions

✓ Assembled in the USA



Primus helps with sign up for a number of training classes, certifications, and educational presentations for your product and fall protection training needs. Below are some upcoming trainings offered through CITCA.

### **Bradley, IL**

December 9th : ANSI A1048 Qualified Rigger, Hoist, and Signaler

December 10-12th : Climber-Rescuer

December 9-13th : Train-the-Trainer (Climber-Rescuer-Rigger)

### **Charleston, WV**

December 9-11th : Climber-Rescuer

Contact our Primus sales representative Matthew Dodge for registration help at [mattd@primuselectronics.com](mailto:mattd@primuselectronics.com).

# PRIMUS

4180 E Sand Ridge Rd.  
Morris, IL 60450